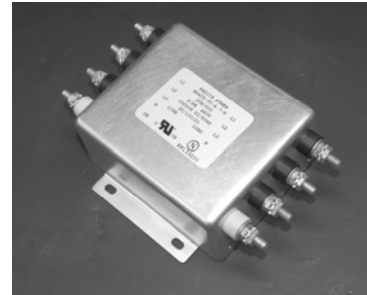


RP405 Series

Compact 3-Phase Wye 1-Stage Power Line

**RP405
COMPACT 3PH WYE TO 40A**

ROHS COMPLIANT



Specifications

Operating Frequency: DC - 60Hz
Operating Voltage: 480V +10%
Ambient Temperature: 50°C
Inrush Rating: 20x (10ms), 1.5x (1min)
Climatic Category: 25/100/21
Hipot Rating: 3000VDC (P/N - E)
Terminations: M5 Studs
Safety Approval: cCSAus/UR/EN133200

Leakage Current

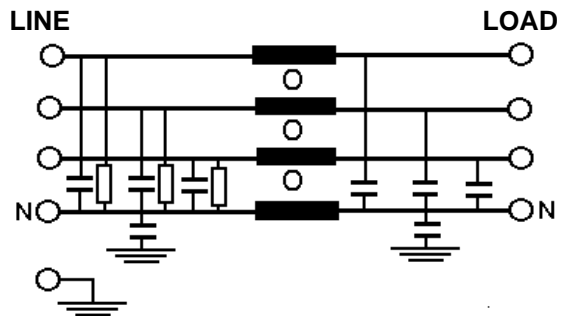
Ycap, nF	mA, 400V/50HZ
0	0
.22	.004
.47	.009
1	.018
2.2	.04
3.3	.06
4.7	.09
10	.18
22	.4
100	1.8
1000	18

Part Number/Ordering

RP405	-X (Amps)	-Y (Y-cap, nF)	-T
	6	0	S
	10	.22	
	20	.47	
	30	1	
	40	2.2	
		4.7	
		10	
		22	
		100	
		1000	

Note: Use any -Y (Y-cap) with any -X (Amps) rating
 e.g. RP405-40-1000-S
 40 Amps with 1000nF y-caps

Schematic



Dimensions shown for reference only.
 Specifications subject to change.

RADIUS POWER
 Standard & Custom Products

www.radiuspower.com
 PH 714-289-0055
 FAX 714-289-214

RP405 Typical Insertion Loss, 50/50ohm

Mechanicals

6 AMP

FREQ(MHz)	.15	.5	1	10	30
CM, dB	67	70	70	55	50
DM, dB	52	70	75	75	65

10 AMP

FREQ(MHz)	.15	.5	1	10	30
CM, dB	60	70	70	55	50
DM, dB	48	70	75	75	65

20 AMP

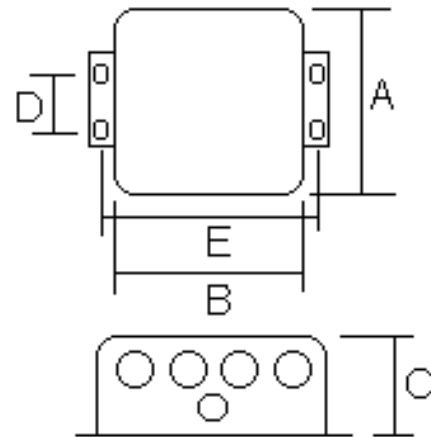
FREQ(MHz)	.15	.5	1	10	30
CM, dB	58	62	65	50	50
DM, dB	48	55	60	60	50

30 AMP

FREQ(MHz)	.15	.5	1	10	30
CM, dB	58	68	70	55	50
DM, dB	46	65	70	70	65

40 AMP

FREQ(MHz)	.15	.5	1	10	30
CM, dB	57	65	70	55	50
DM, dB	45	65	70	70	65



A	B	C	D	E	MTG
3.90	3.30	1.75	2.0	3.75	.2x.4

Dimensions shown for reference only.
Specifications subject to change.

RADIUS POWER
Standard & Custom Products

www.radiuspower.com
PH 714-289-0055
FAX 714-289-214