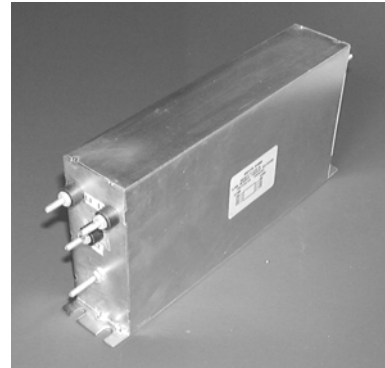


RP327 Series

3-Phase Delta Dual Stage Power Line Filter

**RP327
3PH DELTA TO 250A
BOOKSHELF DESIGN**

ROHS COMPLIANT



Specifications

Operating Frequency: DC - 60Hz
Operating Voltage: 480V +10%
Ambient Temperature: 50°C
Inrush Rating: 20x (10ms), 1.5x (1min)
Climatic Category: 25/100/21
Hipot Rating: 3500VDC (P/N - E)
Terminations: 7/16/30/42/55A (M5)
 75/100A (M6), 130/180/250A (M10)
Safety Approvals: cCSAus/UR/EN133200

Leakage Current

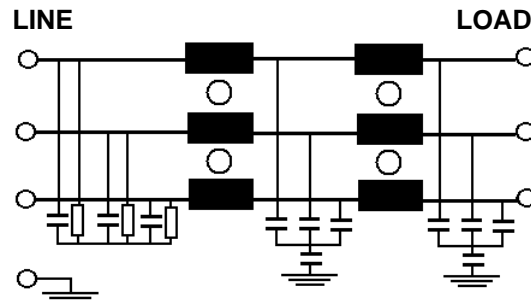
Ycap, nF	mA, 400V/50HZ
0	0
1	.018
4.7	.09
10	.18
22	.4
100	1.8
1000	18
2200	30

Part Number/Ordering

RP327	-X (Amps)	-Y (Ycap, nF)	-T
	7	0	S
	16	1	
	30	4.7	
	42	10	
	55	22	
	75	100	
	100	1000	
	130	2200	
	180		
	250		

Note: Use any -Y (Ycap) with any -X (Amps) rating
 e.g. RP327-180-4.7-S
 180 Amps with 4.7nF y-caps

Schematic



Dimensions shown for reference only.
 Specifications subject to change.

RADIUS POWER
 Standard & Custom Products

www.radiuspower.com
 PH 714-289-0055
 FAX 714-289-214

RP327 Typical Insertion Loss, 50/50ohm
Mechanicals
7 / 16 AMP

FREQ(MHz)	.15	.5	1	10	30
CM, dB	65	70	70	55	40
DM, dB	55	70	70	70	60

30 AMP

FREQ(MHz)	.15	.5	1	10	30
CM, dB	65	70	70	50	30
DM, dB	60	70	70	70	50

42 / 55 AMP

FREQ(MHz)	.15	.5	1	10	30
CM, dB	70	70	70	70	50
DM, dB	55	70	70	65	50

75 / 100 AMP

FREQ(MHz)	.15	.5	1	10	30
CM, dB	65	70	70	60	30
DM, dB	40	70	70	65	40

130 AMP

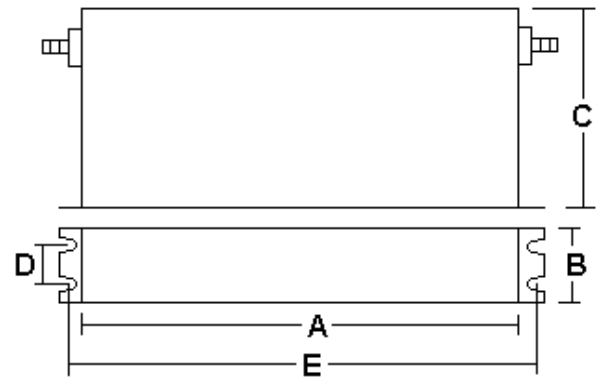
FREQ(MHz)	.15	.5	1	10	30
CM, dB	52	70	65	40	25
DM, dB	45	70	70	60	50

180 AMP

FREQ(MHz)	.15	.5	1	10	30
CM, dB	55	70	70	40	20
DM, dB	55	70	60	45	25

250 AMP

FREQ(MHz)	.15	.5	1	10	30
CM, dB	65	70	70	40	26
DM, dB	65	65	60	45	38



	A	B	C	D	E	MTG
7	8.9	2	5	1	9.45	.25x.3
16	10.9	2.2	5.6	1.2	11.4	.25x.3
30	12	2.4	5.9	1.38	12.6	.25x.3
42	11.8	2.75	7.3	1.77	12.36	.25x.3
55	11.8	3.15	7.3	2.16	12.36	.25x.3
75	11.8	3.15	8.66	2.16	12.36	.25x.3
100	13.78	3.54	8.66	2.56	14.3	.25x.3
130	15.75	4.3	9.45	3.15	16.3	.25x.5
180	15.75	4.3	9.45	3.15	16.25	.25x.5
250	17.3	4.3	9.45	3.15	17.8	.25x.5

Dimensions shown for reference only.
Specifications subject to change.

RADIUS POWER
Standard & Custom Products

www.radiuspower.com
PH 714-289-0055
FAX 714-289-214