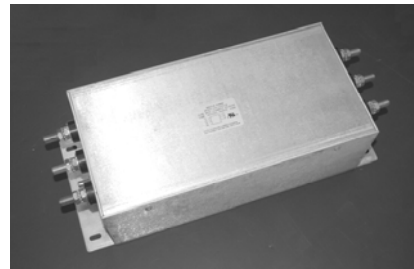


**RP325 Series**

**3-Phase Delta Dual Stage Power Line Filter**

**RP325  
3PH DELTA TO 300A**

ROHS COMPLIANT



**Specifications**

**Operating Frequency:** DC - 60Hz  
**Operating Voltage:** 480V +10%  
**Ambient Temperature:** 50°C  
**Inrush Rating:** 20x (10ms), 1.5x (1min)  
**Climatic Category:** 25/100/21  
**Hipot Rating:** 3500VDC (P/N - E)  
**Terminations:** 15/30/50A (M5), 80/100A (M6),  
 150/200A (M10), 300A (M12)  
**Safety Approvals:** UR/CSA/EN133200

**Leakage Current**

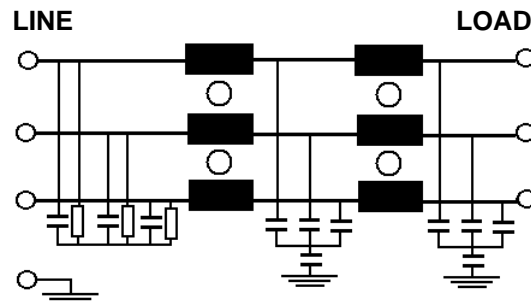
Ycap, nF	mA, 400V/50HZ
0	0
1	.018
4.7	.09
10	.18
22	.4
100	1.8
1000	18
2200	30

**Part Number/Ordering**

RP325	-X (Amps)	-Y (Ycap, nF)	-T
	15	0	S
	30	1	
	50	4.7	
	80	10	
	100	22	
	150	100	
	200	1000	
	300	2200	

Note: Use any -Y (Ycap) with any -X (Amps) rating  
 e.g. RP325-200-1000-S  
 200 Amps with 1000nF y-caps

**Schematic**



**RP325 Typical Insertion Loss, 50/50ohm**

**Mechanicals**

**15 / 30 AMP**

<b>FREQ(MHz)</b>	<b>.15</b>	<b>.5</b>	<b>1</b>	<b>10</b>	<b>30</b>
<b>CM, dB</b>	65	75	75	58	40
<b>DM, dB</b>	65	75	75	75	70

**50 AMP**

<b>FREQ(MHz)</b>	<b>.15</b>	<b>.5</b>	<b>1</b>	<b>10</b>	<b>30</b>
<b>CM, dB</b>	58	70	70	58	40
<b>DM, dB</b>	60	70	75	70	60

**80 AMP**

<b>FREQ(MHz)</b>	<b>.15</b>	<b>.5</b>	<b>1</b>	<b>10</b>	<b>30</b>
<b>CM, dB</b>	54	65	65	55	40
<b>DM, dB</b>	55	60	60	50	38

**100 AMP**

<b>FREQ(MHz)</b>	<b>.15</b>	<b>.5</b>	<b>1</b>	<b>10</b>	<b>30</b>
<b>CM, dB</b>	70	75	75	58	30
<b>DM, dB</b>	55	70	70	60	30

**150 AMP**

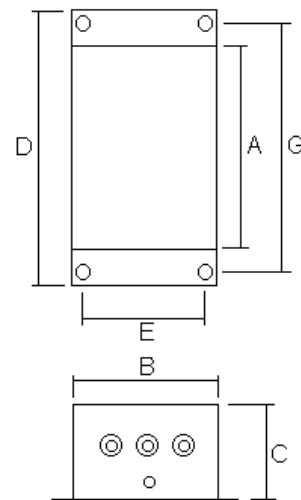
<b>FREQ(MHz)</b>	<b>.15</b>	<b>.5</b>	<b>1</b>	<b>10</b>	<b>30</b>
<b>CM, dB</b>	65	70	70	55	30
<b>DM, dB</b>	50	65	70	60	30

**200 AMP**

<b>FREQ(MHz)</b>	<b>.15</b>	<b>.5</b>	<b>1</b>	<b>10</b>	<b>30</b>
<b>CM, dB</b>	60	65	60	50	35
<b>DM, dB</b>	55	60	65	60	30

**300 AMP**

<b>FREQ(MHz)</b>	<b>.15</b>	<b>.5</b>	<b>1</b>	<b>10</b>	<b>30</b>
<b>CM, dB</b>	60	65	60	48	40
<b>DM, dB</b>	55	55	55	50	30



I	A	B	C	D	E	G	MTG
15/30/50	8	3.5	2.75	10	2.5	9	.25x.3
80	10	4	3.25	12	3	11	.25x.3
100/150 200	13	6.6	4.5	15.75	5.12	14.7	.3x.6
300	18	7	5	20	6	19	.3x.6

Dimensions shown for reference only.  
Specifications subject to change.

**RADIUS POWER**  
Standard & Custom Products

www.radiuspower.com  
PH 714-289-0055  
FAX 714-289-214