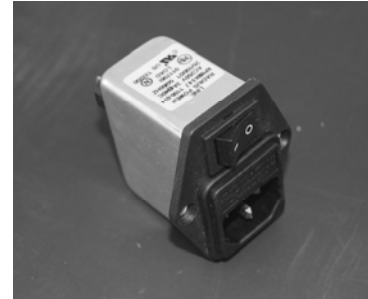


RP188 Series

Power Entry Module 1-Stage Power Line Filter

**RP188
PEM TO 10A
IEC INLET/DUAL FUSE/SWITCH**

ROHS COMPLIANT



Specifications

Operating Freq.: DC - 60Hz
Operating Voltage: 250V +10%
Ambient Temperature: 40°C
Inrush Rating: 20x (10ms), 1.5x (1.5min)
Climatic Category : 25/100/21
Hipot Rating: 2200VDC (P/N - E)
Terminals: .187 Quick Disconnect Tabs
Safety Approvals: UR/cUR/EN133200

Leakage Current

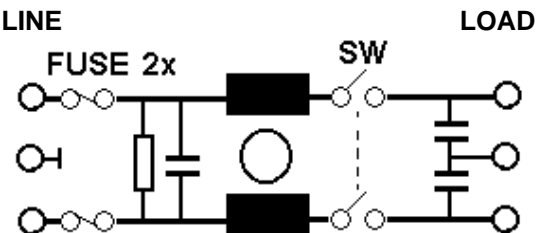
Ycap	mA, 120V/60HZ	mA, 250V,50HZ
0	0	0
.22	.02	.035
.47	.042	.074
1	.09	.15
2.2	.2	.35
3.3	.3	.52
4.7	.42	.74

Part Number / Ordering

RP188	-X (Amps)	-Y (Ycap, nF)
	3	0
	6	.22
	10	.47
		1
		2.2
		3.3
		4.7

Note: Use any -Y (Ycap) with any -X (Amps) rating
 e.g. RP188-3-4.7
 3 Amps with 4.7nF y-caps

Schematic



Dimensions shown for reference only.
 Specifications subject to change.

RADIUS POWER
 Standard & Custom Products

www.radiuspower.com
 PH 714-289-0055
 FAX 714-289-214

RP188 Typical Insertion Loss, 50/50ohm	Mechanicals
---	--------------------

3 AMP

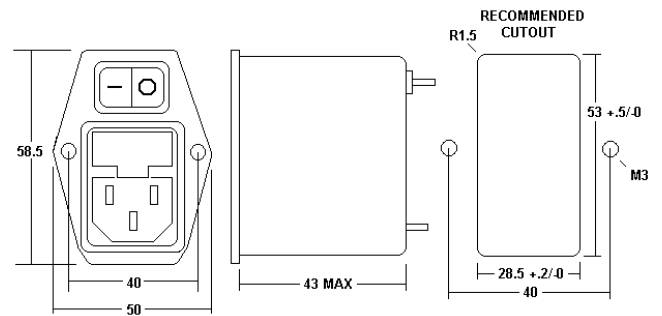
FREQ(MHz)		.15	.5	1	10	30
CM, dB		28	38	50	50	50
DM, dB		18	28	38	60	60

6 AMP

FREQ(MHz)		.15	.5	1	10	30
CM, dB		24	38	50	50	50
DM, dB		18	28	36	55	55

10 AMP

FREQ(MHz)		.15	.5	1	10	30
CM, dB		10	22	30	55	45
DM, dB		18	28	36	50	50



Dimensions shown for reference only.
Specifications subject to change.

RADIUS POWER
Standard & Custom Products

www.radiuspower.com
PH 714-289-0055
FAX 714-289-214