

RP110 Series

Compact 1-Stage Power Line Filter

**RP110
COMPACT TO 30A
CHASSIS MOUNT FILTER**

ROHS COMPLIANT



Specifications

Operating Freq.: DC - 60Hz
Operating Voltage: 250V +10%
Ambient Temperature: 40°C
Inrush Rating: 20x (10ms), 1.5x (1.5min)
Climatic Category : 25/100/21
Hipot Rating: 2500VDC (P/N - E)
Terminals: .250 Quick Disconnect Tabs
 M4 (30A)
Safety Approvals: UR/cUR/EN133200

Leakage Current

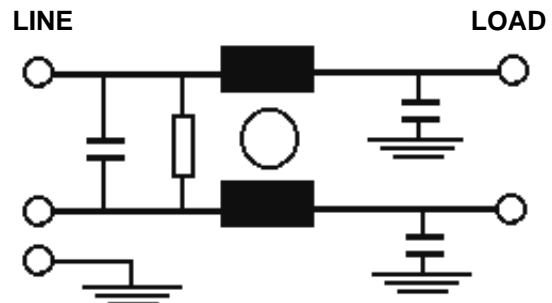
Ycap, nF	mA, 120V/60HZ	mA, 250V/50HZ
0	0	0
.22	.02	.035
.47	.042	.074
1	.09	.15
2.2	.2	.35
3.3	.3	.52
4.7	.42	.74
10	.9	1.5
22	2	3.5
100	9	15

Part Number / Ordering

RP110	-X (Amps)	-Y (Ycap, nF)
	3	0
	6	.22
	10	.47
	20	1
	30	2.2
		3.3
		4.7
		10
		22
		100

Note: Use any -Y (Ycap) with any -X (Amps) rating
 e.g. RP110-3-10
 3Amps with 10nF y-caps

Schematic



Dimensions shown for reference only.
 Specifications subject to change.

RADIUS POWER
 Standard & Custom Products

www.radiuspower.com
 PH 714-289-0055
 FAX 714-289-214

RP110 Typical Insertion Loss, 50/50ohm

Mechanicals

3 AMP

FREQ(MHZ)		.15	.5	1	10	30
CM, dB		48	45	40	40	40
DM, dB		30	48	60	55	55

6 AMP

FREQ(MHZ)		.15	.5	1	10	30
CM, dB		40	40	40	40	40
DM, dB		28	40	50	70	60

10 AMP

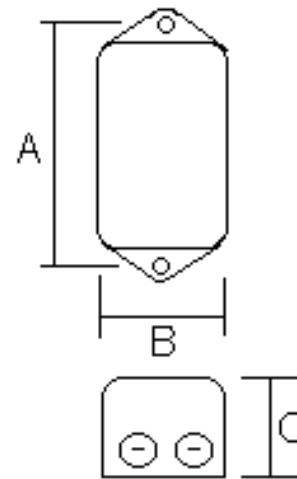
FREQ(MHZ)		.15	.5	1	10	30
CM, dB		28	40	44	44	34
DM, dB		28	40	54	70	66

20 AMP

FREQ(MHZ)		.15	.5	1	10	30
CM, dB		15	24	30	54	54
DM, dB		28	38	50	56	70

30 AMP

FREQ(MHZ)		.15	.5	1	10	30
CM, dB		13	22	30	52	50
DM, dB		20	32	50	55	60



A	B	C	MTG HOLE
2.95	2	1.2	.2

Dimensions shown for reference only.
Specifications subject to change.

RADIUS POWER
Standard & Custom Products

www.radiuspower.com
PH 714-289-0055
FAX 714-289-214